
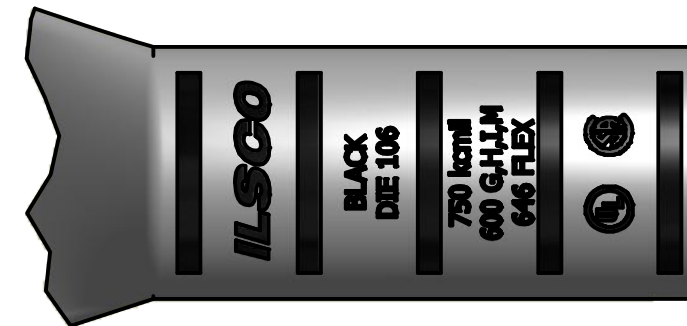
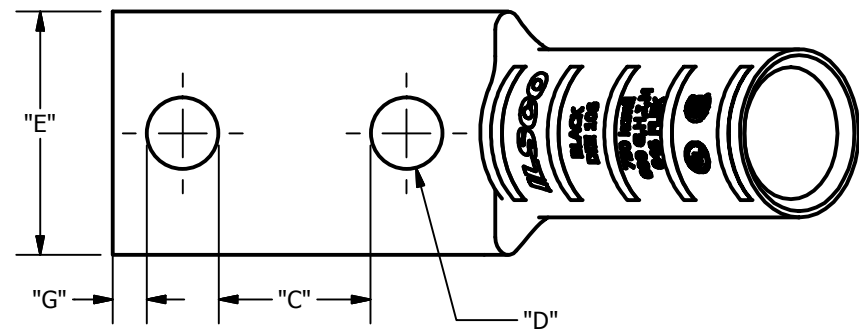
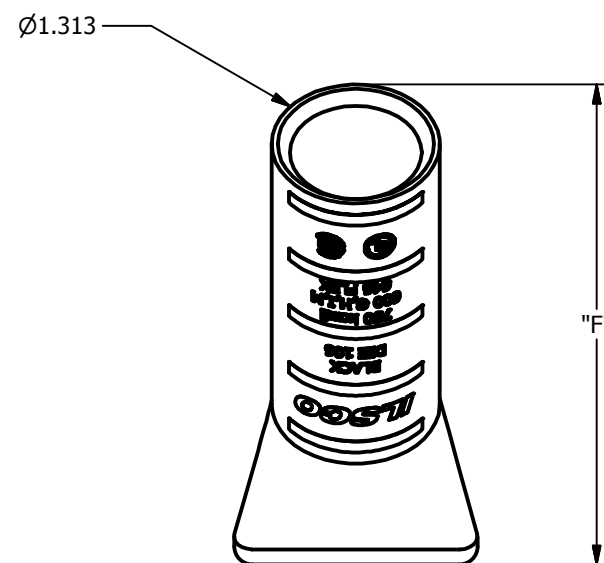
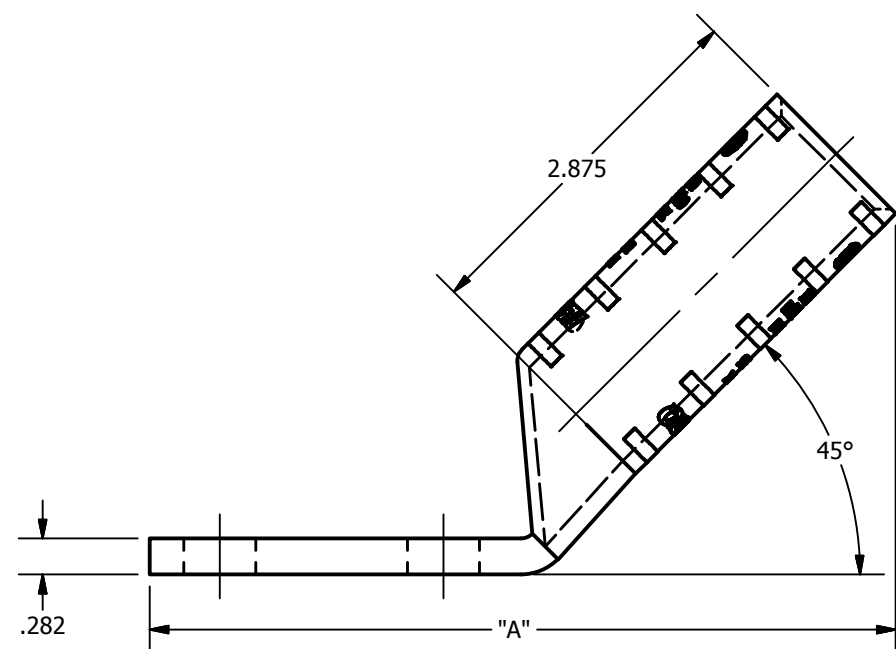


SCREW: NONE	MATERIAL: COPPER	REV: E	 800-776-9775 www.ilSCO.com
CAT. NO.: SEE CHART	PLATING: EL-TIN	DRAWN BY:DW SCALE: NTS	
INFORMATION SHEET:FORM 157	MARKING: SEE CHART	DATE:6/3/2008 SIZE: B	DWG NO: Y1903-D-4
			SHEET: 1 OF 1



DETAIL E
INK MARK TOP & BOTTOM



CATALOG NUMBER	"A"	"C"	"D"	"E"	"F"	"G"	TANG MARKING
CLNB-750-38-34-4	4.720	0.344	0.406	1.901	3.791	0.211	UL, ILSCO, CSA, CLNB-750-38-34-4, 3/8 x 3/4, 750 kcmil, 600 GHIM/646 FLEX, DIE 106
CLNB-750-38-78-4	4.970	0.469	0.406	1.901	3.791	0.211	UL, ILSCO, CSA, CLNB-750-38-78-4, 3/8 x 7/8, 750 kcmil, 600 GHIM/646 FLEX, DIE 106
CLNB-750-38-1-4	4.970	0.594	0.406	1.901	3.791	0.211	UL, ILSCO, CSA, CLNB-750-38-1-4, 3/8 x 1, 750 kcmil, 600 GHIM/646 FLEX, DIE 106
CLNB-750-38-116-4	4.970	0.656	0.406	1.901	3.791	0.211	UL, ILSCO, CSA, CLNB-750-38-116-4, 3/8 x 1-1/6, 750 kcmil, 600 GHIM/646 FLEX, DIE 106
CLNB-750-38-118-4	5.158	0.719	0.406	1.901	3.791	0.211	UL, ILSCO, CSA, CLNB-750-38-118-4, 3/8 x 1-1/8, 750 kcmil, 600 GHIM/646 FLEX, DIE 106
CLNB-750-38-134-4	5.658	1.344	0.406	1.901	3.791	0.211	UL, ILSCO, CSA, CLNB-750-38-134-4, 3/8 x 1-3/4, 750 kcmil, 600 GHIM/646 FLEX, DIE 106
CLNB-750-38-2-4	6.033	1.594	0.406	1.901	3.791	0.211	UL, ILSCO, CSA, CLNB-750-38-2-4, 3/8 x 2, 750 kcmil, 600 GHIM/646 FLEX, DIE 106
CLNB-750-12-1-4	5.158	0.438	0.562	1.901	3.791	0.265	UL, ILSCO, CSA, CLNB-750-12-1-4, 1/2 x 1, 750 kcmil, 600 GHIM/646 FLEX, DIE 106
CLNB-750-12-114-4	5.533	0.688	0.562	1.901	3.791	0.265	UL, ILSCO, CSA, CLNB-750-12-114-4, 1/2 x 1-1/4, 750 kcmil, 600 GHIM/646 FLEX, DIE 106
CLNB-750-12-112-4	5.658	0.938	0.562	1.901	3.791	0.265	UL, ILSCO, CSA, CLNB-750-12-112-4, 1/2 x 1-1/2, 750 kcmil, 600 GHIM/646 FLEX, DIE 106
CLNB-750-12-134-4	6.033	1.188	0.562	1.901	3.791	0.265	UL, ILSCO, CSA, CLNB-750-12-134-4, 1/2 x 1-3/4, 750 kcmil, 600 GHIM/646 FLEX, DIE 106
CLNB-750-12-178-4	6.033	1.313	0.562	1.901	3.791	0.265	UL, ILSCO, CSA, CLNB-750-12-178-4, 1/2 x 1-7/8, 750 kcmil, 600 GHIM/646 FLEX, DIE 106
CLNB-750-58-112-4	6.033	0.938	0.562	1.901	3.791	0.390	UL, ILSCO, CSA, CLNB-750-58-112-4, 1/2 x 1-1/2, 750 kcmil, 600 GHIM/646 FLEX, DIE 106